

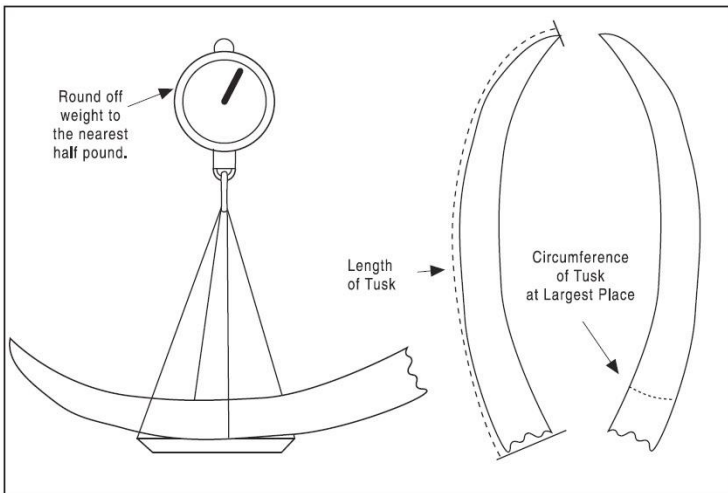


NAPHA TOP TEN MEASUREMENT FORM



METHOD 14:

For elephants



Weight of Tusk

L _____ R _____

Total Score _____

Supplemental Information

Length of Tusk

L _____ R _____

Circumference of tusk at largest place

L _____ R _____

Specie hunted: _____

Place hunted: _____

Date hunted: _____

Hunter's Name: _____

Address: _____

Guided by: _____

Official Measurer: _____

SCI Measurer No: _____

Address: _____

Signature: _____ Date: _____

(Per trophy, please enclose **one application** and a copy of the **trophy permit**, together with the following photos: **front view**, **side view**, photo of **guide and hunter with trophy**.)